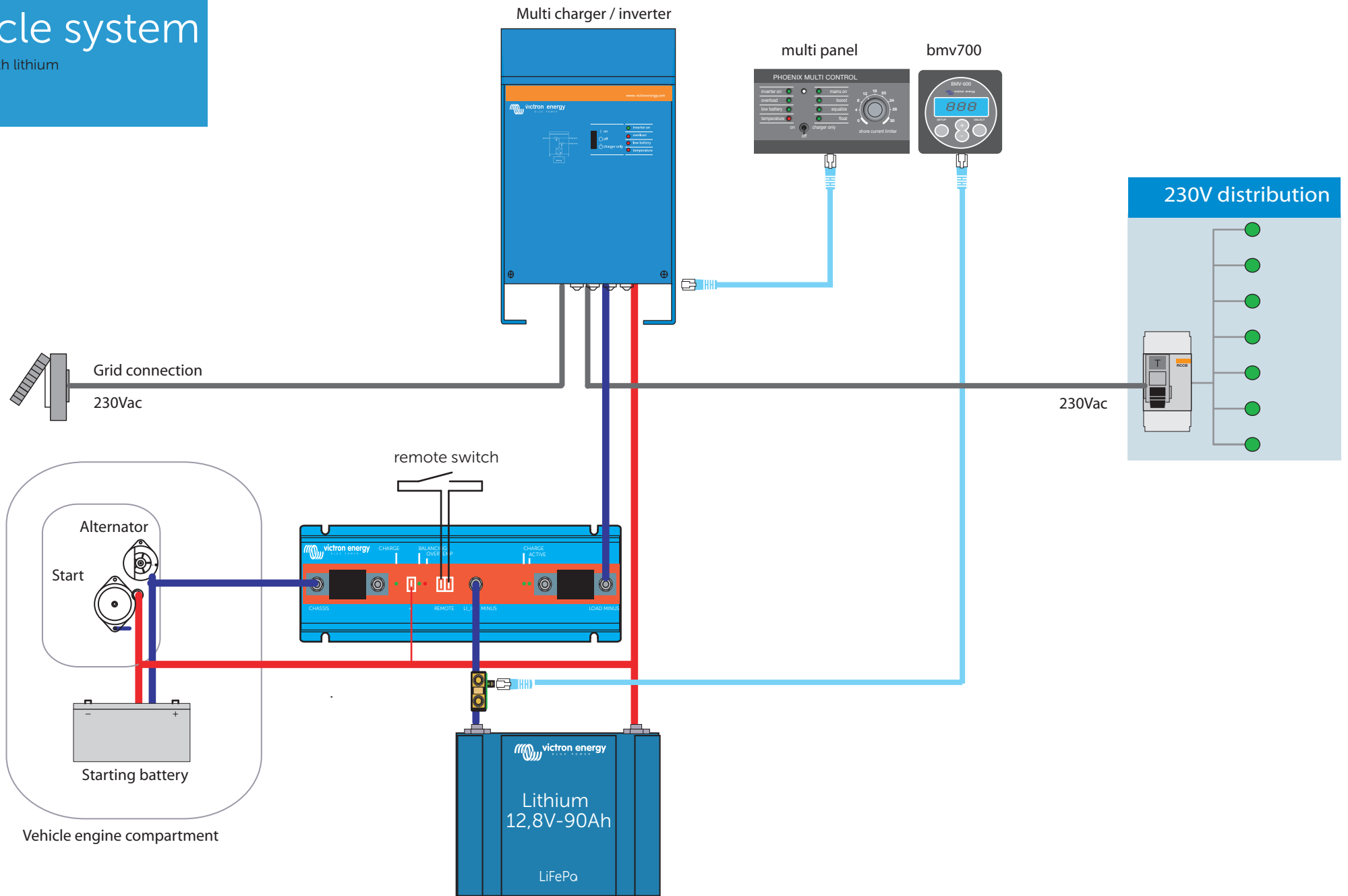


Vehicle system

schematic with lithium



12.8Vdc- 1.1kWh Lithion battery